



KITCHEN FAUCET

BUILDER | 3800

CODE PRODUIT: 3800-N

SPECIFICATIONS

DESCRIPTION

Pull-down kitchen faucet

FEATURES

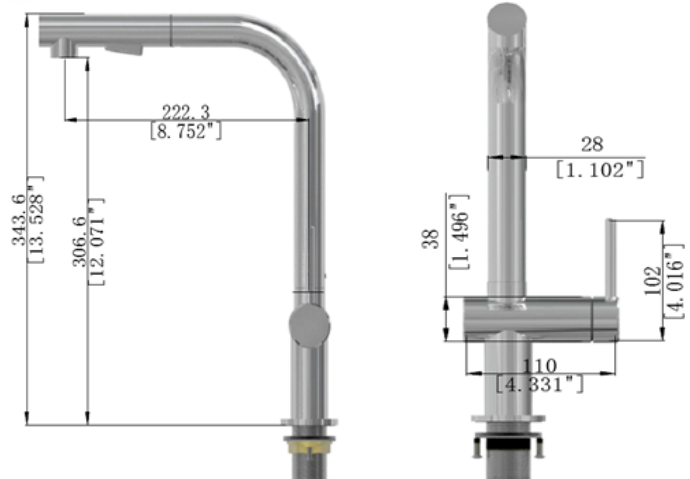
Single hole installation
3/8" speedway compression
Ceramic cartridge
Maximal flow of 5.7 l/min (1.5 gpm) - 60 psi

CERTIFICATIONS

CSA B125.1
NSF/ANSI standard 61 & 372
ASME A112.18.1
ADA

COLORS (FINISHES)

Polished chrome: **3800-N-CH**
Matte black: **3800-N-MB**



WARRANTY

All NOVITA faucets and cartridges are warranted against manufacturing defects for a period of five (5) years from the date of purchase, under normal use and maintenance conditions. This warranty is valid only if the installation is performed by a licensed master plumber.



NOVVITA.CA