

DESCRIPTION

Round tub spout without diverter

FEATURES

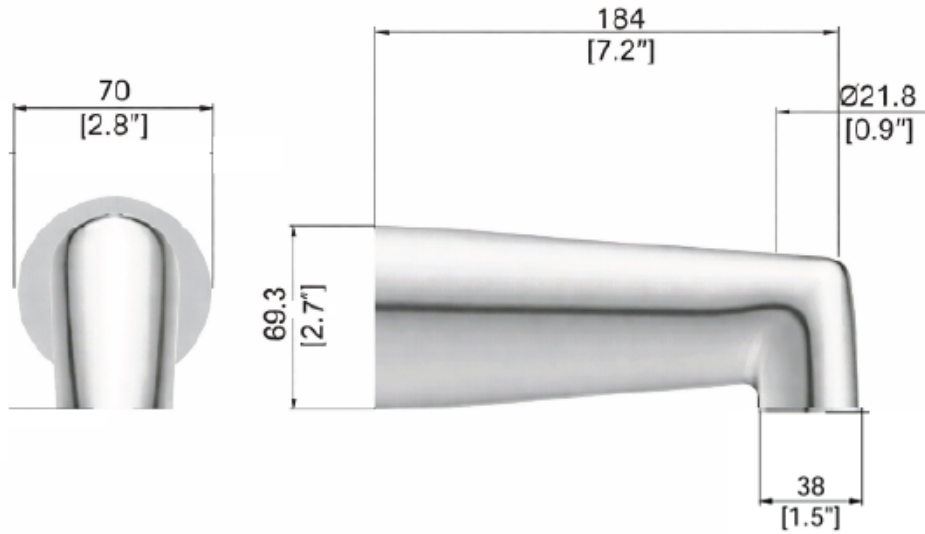
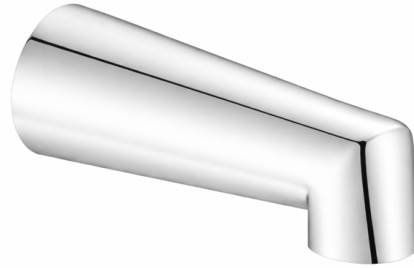
Zinc ally material
 Spout minimum: 9l/min (2.38 gmp) US - 20 psi
 1/2" copper slip fit inlet

CERTIFICATIONS

CSA B125.1
 ASME A112.18.1
 ADA

COLORS (FINISHES)

Chrome: **TS106L-ND-CH**
 Matte black: **TS106L-ND-MB**



WARRANTY

All NOVITA faucets and cartridges are warranted against manufacturing defects for a period of five (5) years from the date of purchase, under normal use and maintenance conditions. This warranty is valid only if the installation is performed by a licensed master plumber.