

DESCRIPTION

Round tub spout

FEATURES

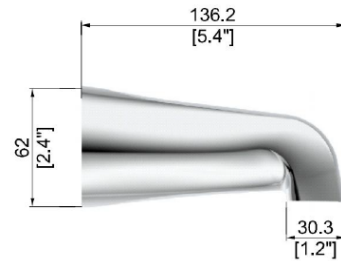
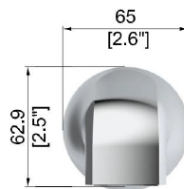
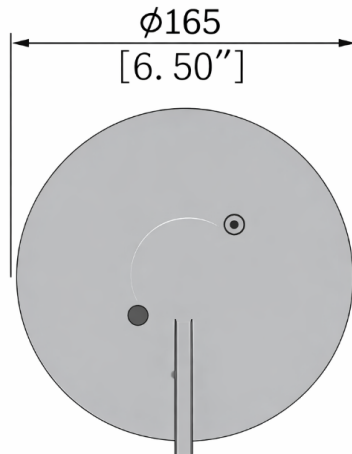
Balanced pressure cartridge
Spout minimum: 9l/min (2.38 gmp) US - 20 psi

CERTIFICATIONS

CSA B125.1
ASME A112.18.1
ADA

COLORS (FINISHES)

Chrome: **KIT BUILDER 1-TS CH**
Matte black: **KIT BUILDER 1-TS MB**



WARRANTY

All NOVVITA faucets and cartridges are warranted against manufacturing defects for a period of five (5) years from the date of purchase, under normal use and maintenance conditions. This warranty is valid only if the installation is performed by a licensed master plumber.