

DESCRIPTION

Round shower kit with slide bar and handheld showerhead

FEATURES

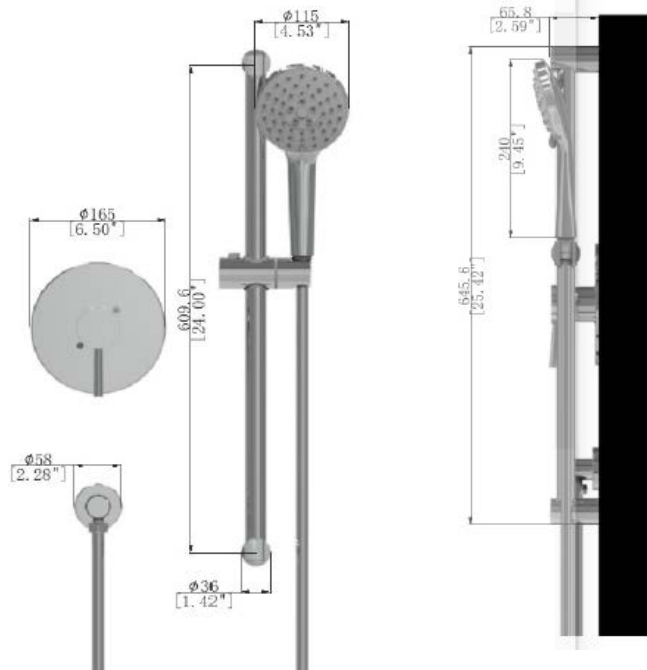
Balanced pressure cartridge
Hand shower flow : 5.7 l/min (1.5 gpm) - 60 psi

CERTIFICATIONS

CSA B125.1
ASME A112.18.1
ADA

COLORS (FINISHES)

Polished chrome: **KIT BUILDER CH**
Matte black: **KIT BUILDER MB**



WARRANTY

All NOVITA faucets and cartridges are warranted against manufacturing defects for a period of five (5) years from the date of purchase, under normal use and maintenance conditions. This warranty is valid only if the installation is performed by a licensed master plumber.