

### DESCRIPTION

Acrylic bathtub for alcove installation

### FEATURES

- Dimensions: 59 3/4" X 31 7/8" X 19" (1518 X 810 X 482mm)
- Without arm rests
- Drain on the left or on the right
- The drain position is determined by the selected configuration**

### CERTIFICATIONS

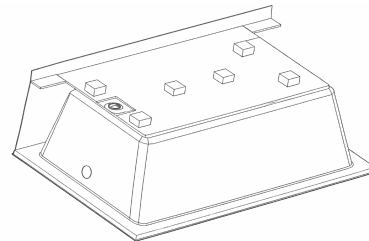
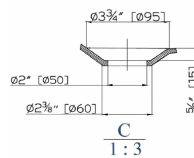
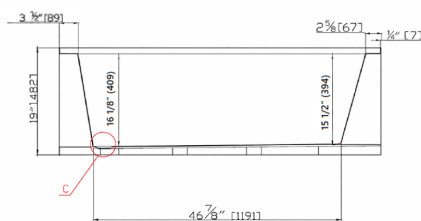
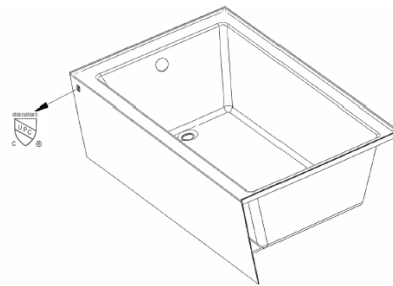
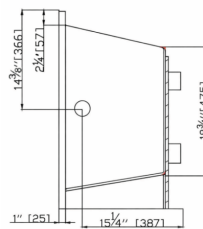
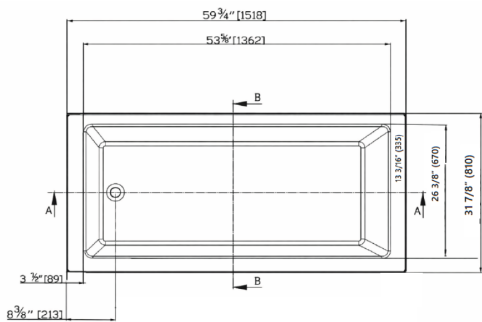
- CUPC
- CSA B45.5-22/IAPMO Z124-2022

### COLORS (FINISHES)

White

### DRAIN POSITION

- Drain on the left : **LTL6032N**
- Drain on the right : **LTR6032N**



### WARRANTY

All NOVITA bathtubs are warranted against manufacturing defects for a period of one (1) year from the date of purchase, under normal use and maintenance conditions. This warranty is valid only if the installation is performed by a licensed master plumber.