

DESCRIPTION

Acrylic bathtub for corner installation

FEATURES

Dimensions: 59 7/8" X 31 7/8" X 19" (1518 X 810 X 482mm)

Without arm rests

Drain on the left or on the right

The drain position is determined by the selected configuration

CERTIFICATIONS

CUPC

CSA B45.5-22/IAPMO Z124-2022

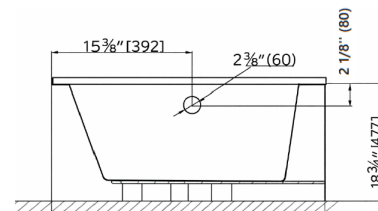
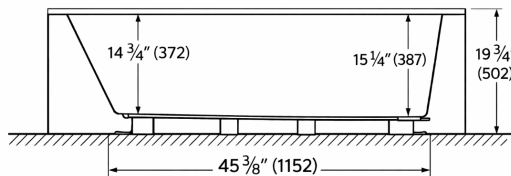
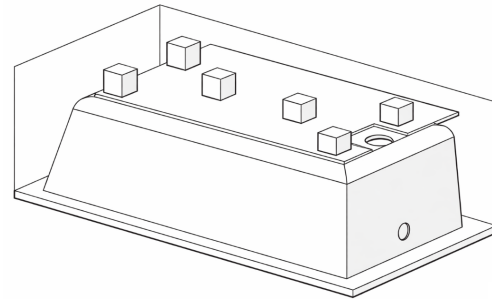
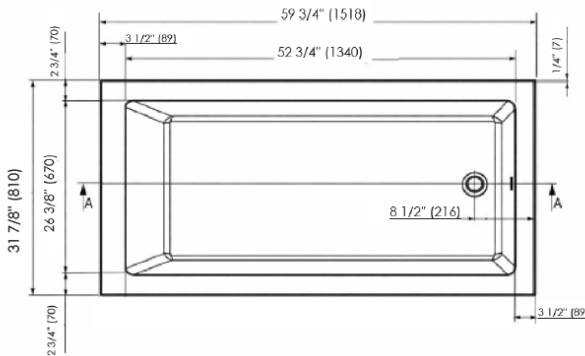
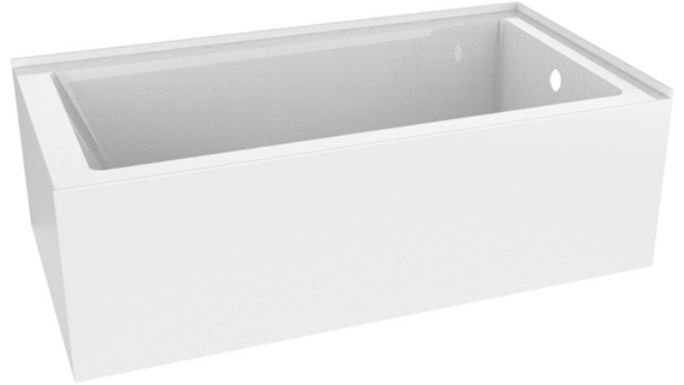
COLORS (FINISHES)

White

DRAIN POSITION

Drain on the left : **LT6032DSL-S**

Drain on the right : **LT6032DSR-S**



WARRANTY

All NOVITA bathtubs are warranted against manufacturing defects for a period of one (1) year from the date of purchase, under normal use and maintenance conditions. This warranty is valid only if the installation is performed by a licensed master plumber.