



# SHOWER BASE

## SB6036W-HD

PRODUCT CODE: SB6036W-HD

SPECIFICATIONS

### DESCRIPTION

Rectangular acrylic shower base with hidden center drain

### FEATURES

Dimensions: 59 3/4" X 36" x 4" (1518 X 914 X 102 mm)

For alcove installation

Acrylic reinforced with 3mm fiberglass with leak protection



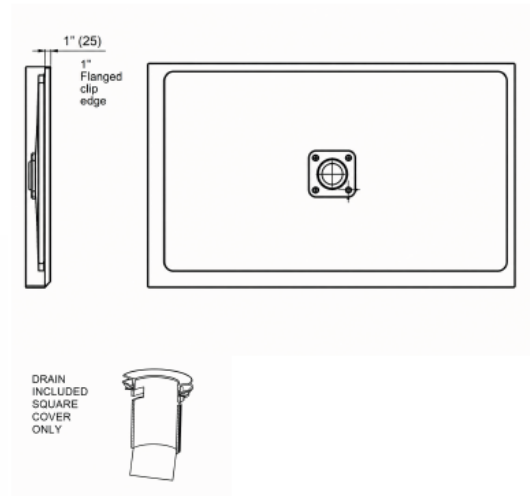
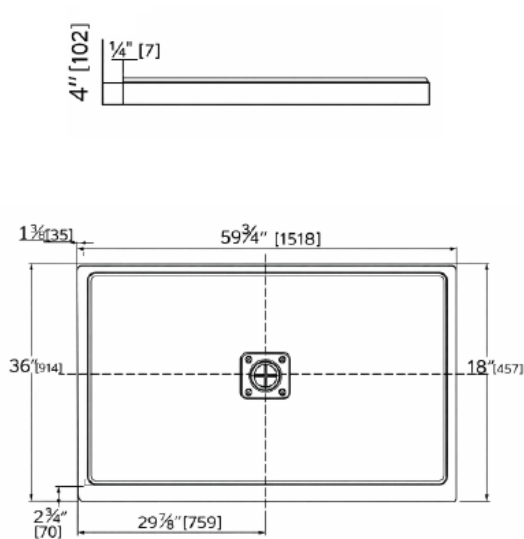
### CERTIFICATIONS

CUPC

CSA B5.2-22/IAPMO Z124-2022

### COLORS (FINISHES)

White



### WARRANTY

All NOVITA shower bases are warranted against manufacturing defects for a period of one (1) year from the date of purchase, under normal use and maintenance conditions. This warranty is valid only if the installation is performed by a licensed master plumber.

