

### DESCRIPTION

Rectangular acrylic shower base with round center drain

### FEATURES

Dimensions: 59 3/4" X 32" x 3 1/2" (1516 X 813 X 90 mm)  
 Tile trim on two walls available in left or right version  
 Acrylic reinforced with 3mm fiberglass with leak protection

### CERTIFICATIONS

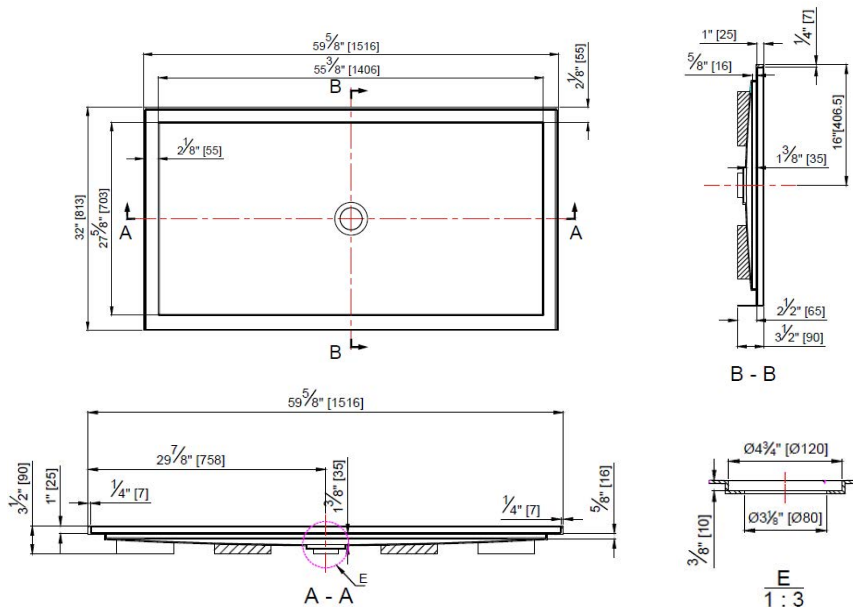
CUPC  
 CSA B5.2-22/IAPMO Z124-2022

### COLORS (FINISHES)

White

### TYPE OF INSTALLATION:

Right corner: **SB6032L**  
 Left corner: **SB6032R**



### WARRANTY

All NOVITA shower bases are warranted against manufacturing defects for a period of one (1) year from the date of purchase, under normal use and maintenance conditions. This warranty is valid only if the installation is performed by a licensed master plumber.