



SHOWER BASE

SB4836L/R-HD

PRODUCT CODE: SB4836L/R-HD

SPECIFICATIONS

DESCRIPTION

Rectangular acrylic shower base with hidden center drain

FEATURES

Dimensions: 47 3/4" X 36" x 4" (1213 X 914 X 102 mm)

For corner installation

Acrylic reinforced with 3mm fiberglass with leak protection

The position of the return panel is determined by the selected configuration.



CERTIFICATIONS

CUPC

CSA B5.2-22/IAPMO Z124-2022

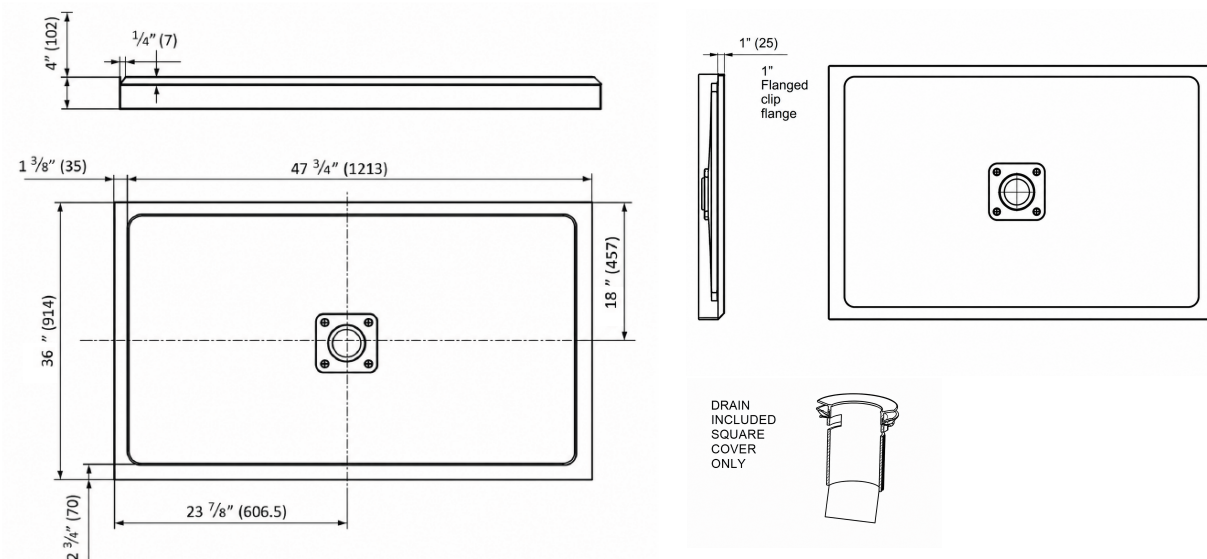
COLORS (FINISHES)

White

INSTALLATION TYPE

Right-hand corner: SB4836-LHD

Left-hand corner: SB4836-RHD



WARRANTY

All NOVITA shower bases are warranted against manufacturing defects for a period of one (1) year from the date of purchase, under normal use and maintenance conditions. This warranty is valid only if the installation is performed by a licensed master plumber.

