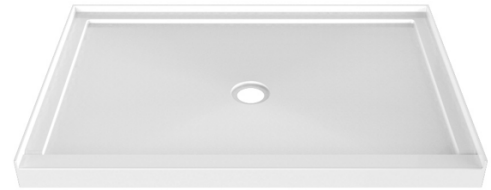


### DESCRIPTION

Rectangular acrylic shower base with round center drain

### FEATURES

Dimensions: 48" X 32" x 4 1/4" (1219 X 813 X 107 mm)  
 For alcove installation  
 Acrylic reinforced with 3mm fiberglass with leak protection

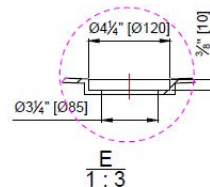
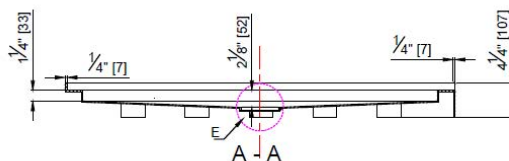
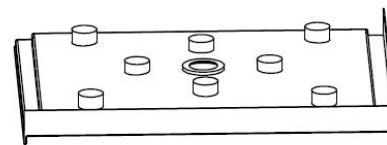
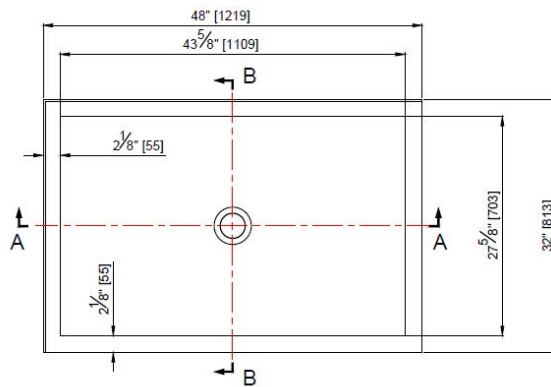


### CERTIFICATIONS

CUPC  
 CSA B5.2-22/IAPMO Z124-2022

### COLORS (FINISHES)

White



### WARRANTY

All NOVITA shower bases are warranted against manufacturing defects for a period of one (1) year from the date of purchase, under normal use and maintenance conditions. This warranty is valid only if the installation is performed by a licensed master plumber.