



LAVATORY FAUCET

SQUARE | 1410

PRODUCT CODE: 1410

SPECIFICATIONS

DESCRIPTION

Single hold lavatory faucet

FEATURES

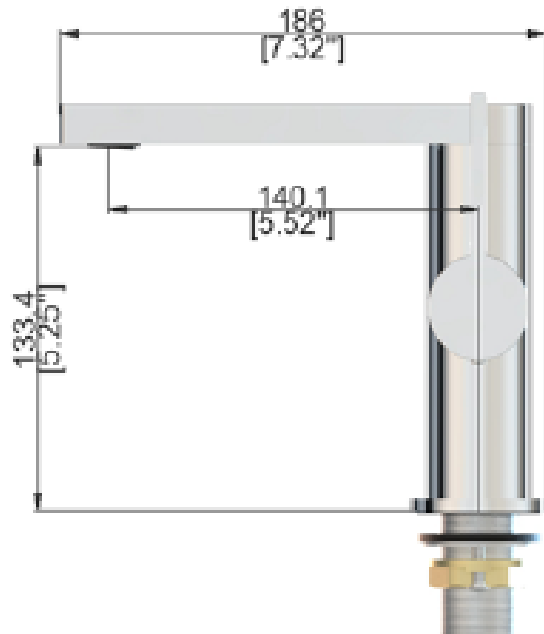
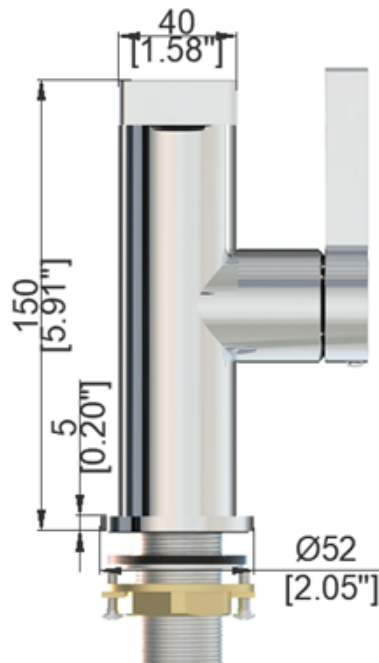
Push drain included
3/8" speedway compression
Ceramic cartridge
Maximal flow of 5.7 l/min (1.5 gpm) - 60 psi

CERTIFICATIONS

CSA B125.1
NSF/ANSI standard 61 & 372
ASME A112.18.1
ADA

COLORS (FINISHES)

Polished chrome: **1410-CH**
Matte black: **1410-MB**



WARRANTY

All NOVITA faucets and cartridges are warranted against manufacturing defects for a period of five (5) years from the date of purchase, under normal use and maintenance conditions. This warranty is valid only if the installation is performed by a licensed master plumber.



NOVVITA.CA