

### DESCRIPTION

Single hole lavatory faucet

### FEATURES

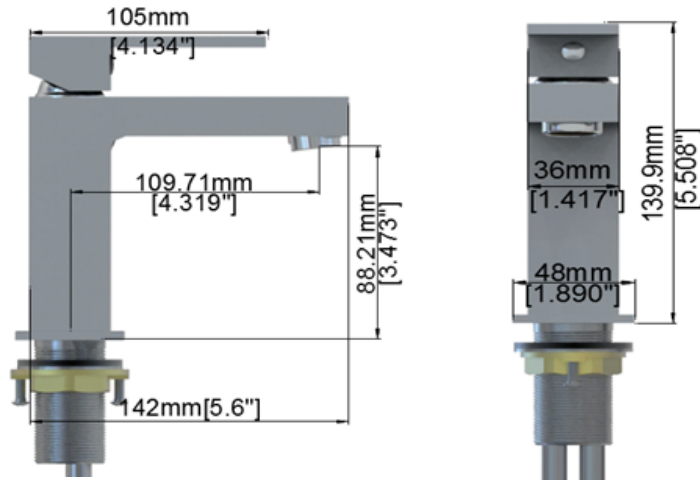
Push drain included  
 3/8" speedway compression  
 Ceramic cartridge  
 Maximal flow of 5.7 l/min (1.5 gpm) - 60 psi

### CERTIFICATIONS

CSA B125.1  
 NSF/ANSI standard 61 & 372  
 ASME A112.18.1  
 ADA

### COLORS (FINISHES)

Polished chrome: **1010-E-CH**  
 Matte black: **1010-E-MB**



### WARRANTY

All NOVITA faucets and cartridges are warranted against manufacturing defects for a period of five (5) years from the date of purchase, under normal use and maintenance conditions. This warranty is valid only if the installation is performed by a licensed master plumber.