

DESCRIPTION

Single hole lavatory faucet

FEATURES

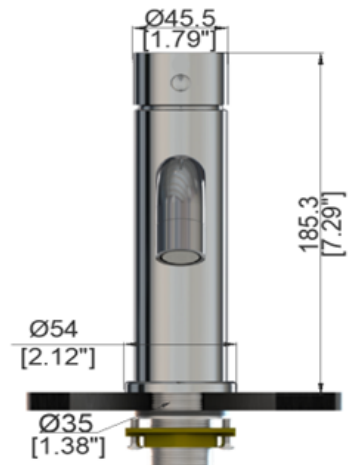
Push drain included
 3/8" speedway compression
 Ceramic cartridge
 Maximal flow of 5.7 l/min (1.5 gpm) - 60 psi

CERTIFICATIONS

CSA B125.1
 NSF/ANSI standard 61 & 372
 ASME A112.18.1
 ADA

COLORS (FINISHES)

Polished chrome: **2110-E-CH**
 Matte black: **2110-E-MB**



WARRANTY

All NOVITA faucets and cartridges are warranted against manufacturing defects for a period of five (5) years from the date of purchase, under normal use and maintenance conditions. This warranty is valid only if the installation is performed by a licensed master plumber.