

DESCRIPTION

Rectangular top mount sink

CARACTÉRISTIQUES

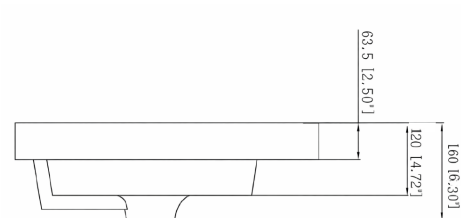
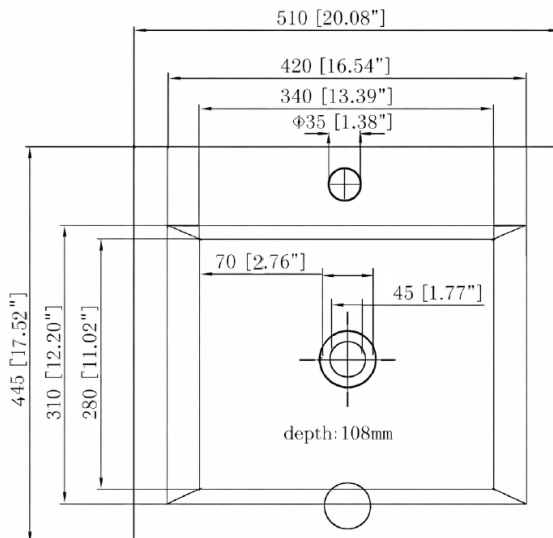
Overall sink dimensions: 20" X 17 1/2" X 6" (510 X 445 X 160mm)
 Interior dimensions: 13 3/8" X 11 1/3" X 4 3/4" (340 X 280 X 120mm)
 Volcanic rock and polymer
 With overflow

CERTIFICATIONS

CSA B45.5-17
 IAPMO Z124-2017

COLORS (FINISHES)

White



WARRANTY

All NOVVITA sinks are warranted against manufacturing defects for a period of one (1) year from the date of purchase, under normal use and maintenance conditions. This warranty is valid only if the installation is performed by a licensed master plumber.