

### DESCRIPTION

One-piece elongated toilet

### FEATURES

- High efficiency toilet (HET)
- Ultra-low consumption (4.8 LPF/1.28 GPF)
- 3" Flush valve
- 12 1/2" (317.5 mm) rough-in
- Fully glazed trapway
- Soft closed seat included

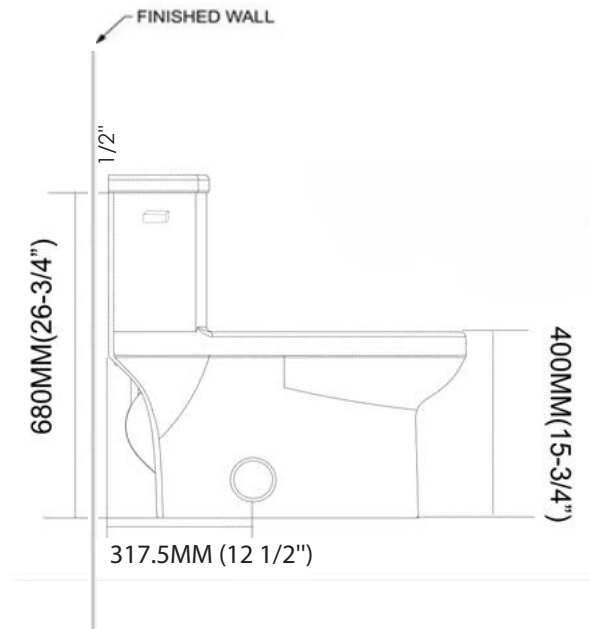
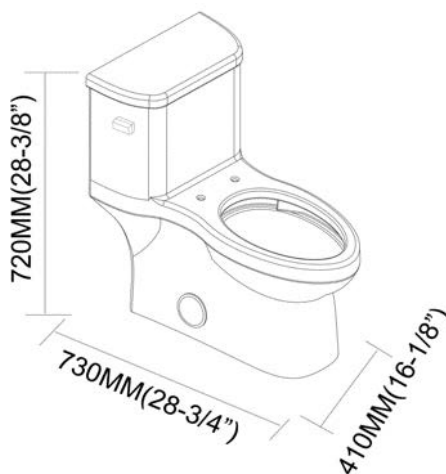
### CERTIFICATIONS

- ASME A112.19.2-2018
- CSA B45.1-18
- ASME A112.19.14-2013 (R2018)
- EPA WaterSense High Efficiency Toilet



### COLORS (FINISHES)

- White with chrome plated side lever: **L-2023B**
- White with matte black side lever: **L-2023B-MB**



### WARRANTY

All NOVITA toilets are warranted against manufacturing defects for a period of five (5) years for the porcelain and components inside the tank and one (1) year for the seats and installation hardware from the date of purchase, under normal use and maintenance conditions and does not include additional costs for the replacement of a defective product. This warranty is valid only if the installation is performed by a licensed master plumber.